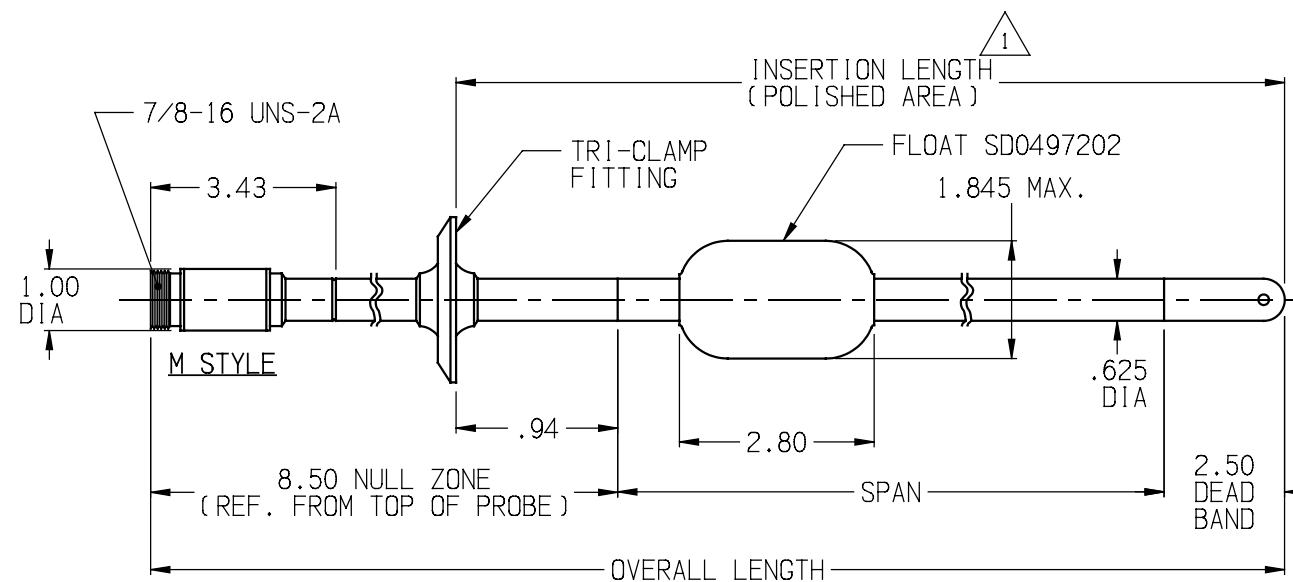


M & S STYLES WITH E-CLIP



3A PROBES: M & S STYLES WITH R-CLIP

MAXIMUM STANDARD OVERALL LENGTH = 120"  
MINIMUM STANDARD OVERALL LENGTH = 18"

NOTES:

1. ALL POLISHED AREA SURFACES SHALL BE:
  - a) FOR 3A FOOD GRADE: 180 GRIT OR BETTER.
  - b) FOR 3A SANITARY: 240 GRIT OR BETTER.

CERTIFIED	by _____				COPYRIGHT 2009
PO #	_____				AMETEK DREXELBROOK
ENG	_____				SCALE NONE
USER	_____				UNLESS OTHERWISE STATED ALL DIMENSIONS IN INCHES (MM)
ISS.	1	7-09-116	DWK	3-18-10	DR. JJS 8-4-09
EDC/DSR NO.					CK. LEP 3-18-10
APP'D					
DATE					
DE #					

**AMETEK**<sup>®</sup>  
**DREXELBROOK**

205 KEITH VALLEY RD  
HORSHAM, PA 19044-9986

215-674-1234  
FAX 215-674-2731

DM330 SANITARY

DM330S-CD

SHT. 1  
OF 1

ISS. 1

NO. DM330S

SHT. 1 OF 1