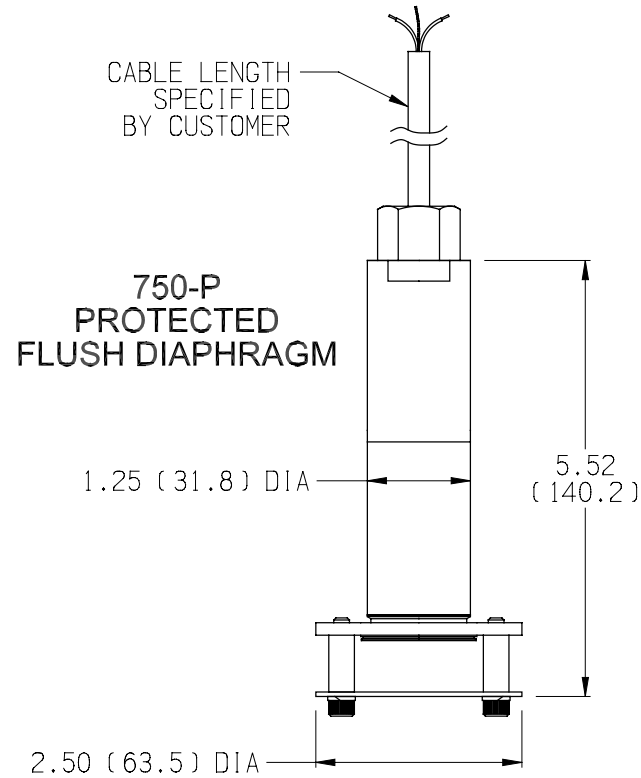
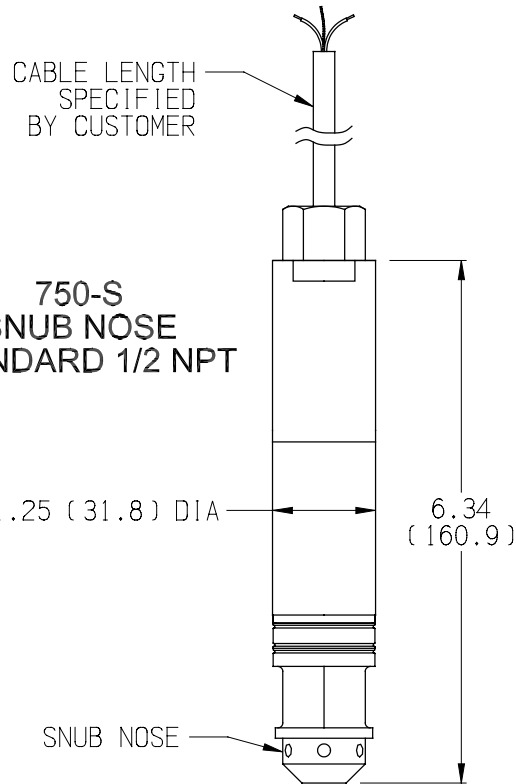
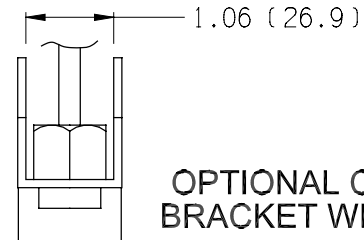
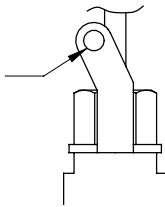


.156 (4.0) DIA
2 PLACES



WIRE LEGEND	
COLOR	FUNCTION
RED	V+
BLACK	V-
GREEN/SHIELD	CASE GROUND

- NOTES:
1. CABLE VENT SHOULD BE TERMINATED TO A DRY, TEMPERATURE STABLE ENVIRONMENT.
 2. A FUSED OR CURRENT LIMITED DC POWER SOURCE IS RECOMMENDED TO PREVENT DAMAGE DURING FAULT CONDITIONS.

CERTIFIED	by _____				COPYRIGHT 2008
PO #	_____				AMETEK DREXELBROOK
ENG	_____				SCALE NONE
USER	_____				UNLESS OTHERWISE STATED ALL DIMENSIONS IN INCHES (MM)
		1	7-08-107	DWK	7-18-08
DE #	_____	ISS.	EDO/DSR NO.	APP'D	DATE
				CK.	CDW

AMETEK®
DREXELBROOK

205 KEITH VALLEY RD
HORSHAM, PA 19044-9986

215-674-1234
FAX 215-674-2731

OUTLINE/SPECS, 750 SUBMERSIBLE	
750-CD	SHT. 1 OF 3 ISS. 1

NO. 750-CD
SHT. 1 OF 3

FUNCTIONAL SPECIFICATIONS:

OUTPUT - 4-20mADC, LIMITED TO 30 mADC
 POWER SUPPLY - 12 TO 40 VDC (NON I.S.)
 LOOP RESISTANCE - 1400 OHMS MAX AT 40 VOLTS

PROOF PRESSURE - 200% OF UPPER RANGE LIMIT
 BURST PRESSURE - 3X UPPER RANGE LIMIT

PERFORMANCE SPECIFICATIONS:

ACCURACY - 0.25% FS, BFSL
 0.50% FS FOR 6 PSI RANGE ONLY

MATERIALS OF CONSTRUCTION:

WETTED PARTS
 HOUSING - TYPE 316L STAINLESS STEEL
 DIAPHRAGM - TYPE 316L STAINLESS STEEL
 CABLE JACKET - POLYURETHANE (STANDARD) SEE MODEL CODE
 SNUB NOSE - DELRIN (STANDARD)

FILL FLUID - SILICONE (STANDARD)
 ELECTRICAL CONNECTION - ATTACHED 2-WIRE, 20 GAUGE POLYURETHANE SHIELDED CABLE

WEIGHT - 1.00 LBS (454 GRAMS) WITHOUT CABLE

7	5	0	X	B	X	X	X	X	X	X	X	X	X	X	X	X	X	X	X	X	SERIES SUBMERSIBLE TRANSMITTER		
																					S	SENSING PORT	
																					P	SNUB NOSE	
																						PROTECTED FLUSH (MUST BE HASTELLOY C DIAPHRAGM)	
																						INPUT/OUTPUT	
																					B	12-28 VDC / 4-20mA FOR ALL PRESSURE RANGES	
																						RANGE PRESSURE BAR FEET METERS OF WATER PRESSURE	
																						0006 0-6 psi 0-0.4 0-13.8 0-4.2	
																						0015 0-15 psi 0-1 0-34.6 0-10.5	
																						0030 0-30 psi 0-2 0-69.2 0-21.1	
																						0060 0-60 psi 0-4 0-138.4 0-42.2	
																						0100 0-100 psi 0-7 0-230.7 0-70.3	
																						0150 0-150 psi 0-10 0-346.0 0-105.4	
																						0200 0-200 psi 0-14 0-461.3 0-140.6	
																						0300 0-300 psi 0-20 0-692.0 0-210.9	
																						ELECTRICAL CONNECTION	
																						E	EMI PROTECTION FOR USE WITH VFDs - STANDARD NUT/CABLE
																						F	EMI PROTECTION FOR USE WITH VFDs - CABLE SUPPORT WITH STANDARD NUT WITH CABLE, K030267 (SELECT IF CABLE > 25 FT)
																						G	EMI PROTECTION FOR USE WITH VFDs - 1/2" NPT FEMALE, CONDUIT CONNECTION WITH CABLE
																						N	STANDARD NUT/CABLE
																						R	CABLE SUPPORT WITH STANDARD NUT WITH CABLE, K030267 (SELECT IF CABLE > 25 FT)
																						C	1/2" NPT FEMALE, CONDUIT CONNECTION WITH CABLE
																						S	TEFLON CABLE WITH NUT & CABLE SUPPORT (SELECT IF CABLE > 25 FT)
																						T	TEFLON CABLE WITH NUT
																							DIAPHRAGM MATERIAL
																						L	316 SS (1/2" NPT ONLY)
																						H	HASTELLOY C
																							FILL FLUID
																						S	SILICONE OIL
																						M	MINERAL OIL (MINIMUM ORDER 5 PCS / RANGE)
																							CABLE LENGTH
																							X X X
																							X X X
																							POLYURETHANE CABLE (SPECIFY LENGTH IN FT AND AS SEPARATE LINE ITEM, K515076)
																							TEFLON CABLE (SPECIFY LENGTH IN FT AND AS SEPARATE LINE ITEM, K515075)
																							SURGE VOLTAGE PROTECTION
																							0 WITHOUT
																							1 SVP BETWEEN TRANSMITTER AND METER - LMA912

CERTIFIED by _____
 PO # _____
 ENG _____
 USER _____
 DE # _____

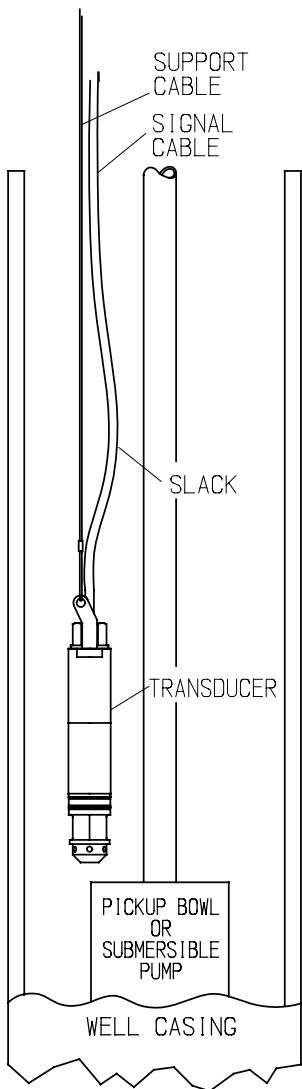
1 7-08-107 DWK 7-18-08
 ISS. EDO/DSR NO. APP' D DATE

COPYRIGHT 2008
 AMETEK DREXELBROOK
 SCALE NONE
 UNLESS OTHERWISE STATED
 ALL DIMENSIONS IN INCHES (MM)
 DR. JJS 7-15-08
 CK. CDW



OUTLINE/SPECS.
 750 SUBMERSIBLE
 750-CD
 SHT. 2 OF 3
 ISS. 1

NO. 750-CD SHT 2 OF 3



FREE HANGING

INSTALLATION INFORMATION FOR SUBMERSIBLE TRANSDUCERS

BEFORE INSTALLATION:

1. DO NOT DISASSEMBLE THE TRANSDUCER OR LOOSEN THE COMPRESSION NUT AT THE SIGNAL CABLE ENTRY. **THIS WILL VOID WARRANTY.** THERE ARE NO CUSTOMER SERVICABLE COMPONENTS INSIDE.
2. DO NOT NICK OR CUT THE JACKET OF THE SIGNAL CABLE. THIS WILL CAUSE LEAKAGE AND **VOID WARRANTY.** AVOID ROLLING THE CABLE SPOOL OVER ROCKS STONES OR OTHER SHARP OBJECTS.
3. CONNECT THE TRANSDUCER SIGNAL CABLE LEADS TO THE CORRECT TERMINALS ON THE METER OR TRANSMITTER WHICH IS TO BE USED WITH THE TRANSDUCER. TO ENSURE PROPER OPERATION, REFER TO OPERATOR'S MANUAL. DISCONNECT THE SIGNAL CABLE LEADS FROM THE METER OR TRANSMITTER BEFORE INSTALLING THE TRANSDUCER OR CABLE IN WELL OR TANK. DO NOT CONNECT THE SIGNAL CABLE LEADS TO ANY OTHER POWER SOURCE.

INSTALLATION:

4. ANCHOR THE FREE ENDS OF THE SIGNAL CABLE AND SUPPORT CABLE, IF APPLICABLE, BEFORE BEGINNING INSTALLATION, TO PREVENT LOSS OF THE SENSOR AND CABLES DOWN THE WELL.
5. HANDLE THE SIGNAL CABLE AND TRANSDUCER WITH CARE DURING INSTALLATION.
6. FOR DEPTHS OVER 300 FEET, ALWAYS USE A SUPPORT CABLE TO SUPPORT THE WEIGHT OF THE TRANSDUCER. ALLOW A LITTLE SLACK IN THE SIGNAL CABLE (SEE FIGURE, ALSO REFER TO OPERATOR'S MANUAL).
7. DO NOT ROUTE THE SIGNAL CABLE NEXT TO HIGH VOLTAGE POWER LINES.
8. DO NOT SECURE THE CABLE OR TRANSDUCER TO THE PIPE.
9. ENSURE THAT THE OPENING IN THE WELL OR TANK COVER IS LARGE ENOUGH FOR POSSIBLE FUTURE REMOVAL OF TRANSDUCER.

CERTIFIED	by _____				COPYRIGHT 2008		OUTLINE/SPECS, 750 SUBMERSIBLE	
PO #	_____				AMETEK DREXELBROOK			
ENG	_____				SCALE NONE			
USER	_____				UNLESS OTHERWISE STATED ALL DIMENSIONS IN INCHES (MM)			
		1	7-08-107	DWK	7-18-08	DR. JJS 7-15-08		
DE #	_____	ISS.	EDD/DSR NO.	APP'D	DATE	CK. CDW		
						205 KEITH VALLEY RD HORSHAM, PA 19044-9986	215-674-1234 FAX 215-674-2731	750-CD
							SHT. 3 OF 3 ISS. 1	

NO. 750-CD

SHT 3 OF 3